

Cable Termination

Practical 1 Cable termination at socket outlet

Terminate the cable at socket outlet



Practical 2 Cable connection to DC power supply

Connect the supply cable to DC power supply system



Practical (3) Signal cable termination

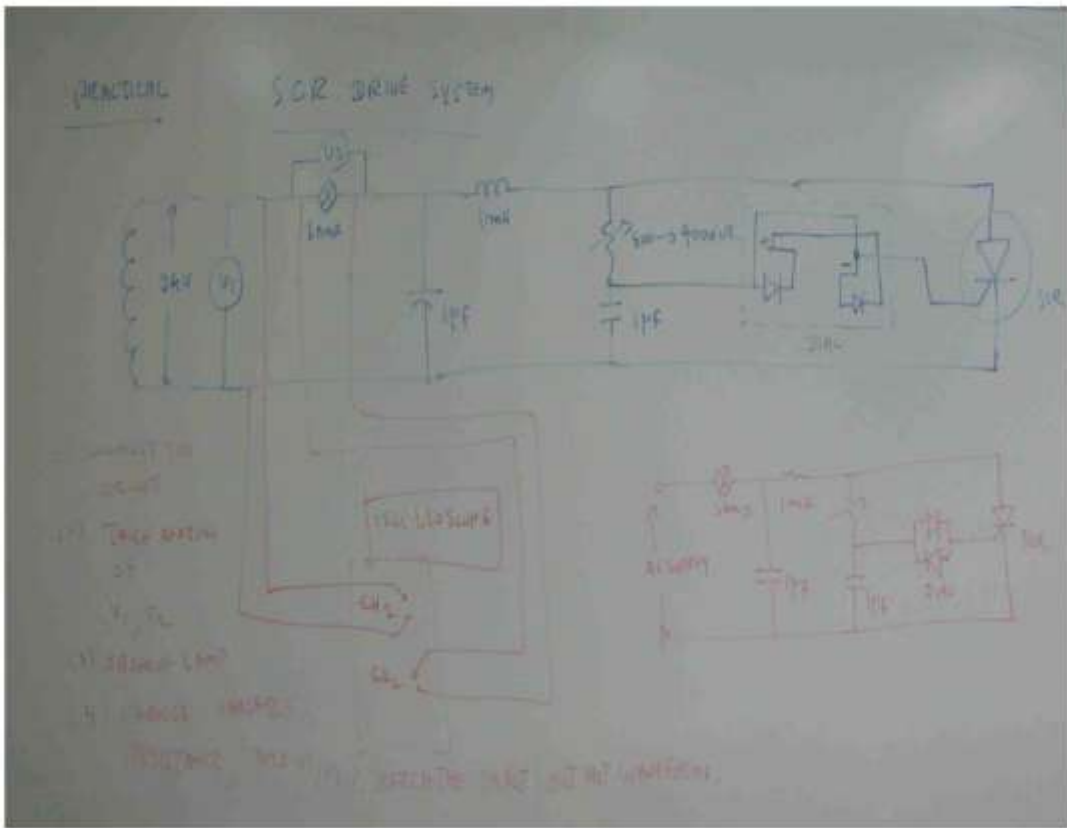
Connect the signal cable to the following signal cable connectors



Practical (4) SCR Control cable termination

Connect the following SCR Control cable termination as in given diagram





Practical (5) Transformer supply cable termination

Connect the following transformer supply cable



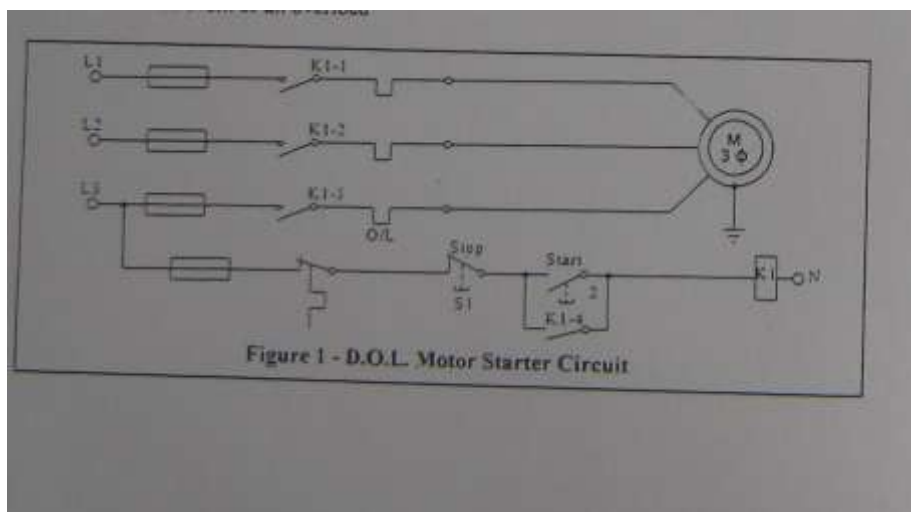
Practical (6) Flexible cord & plug termination

Connect the following flexible cord & plug



Practical (7) Three phase motor control starter cable connection

Connect the following Three phase motor control starter cable



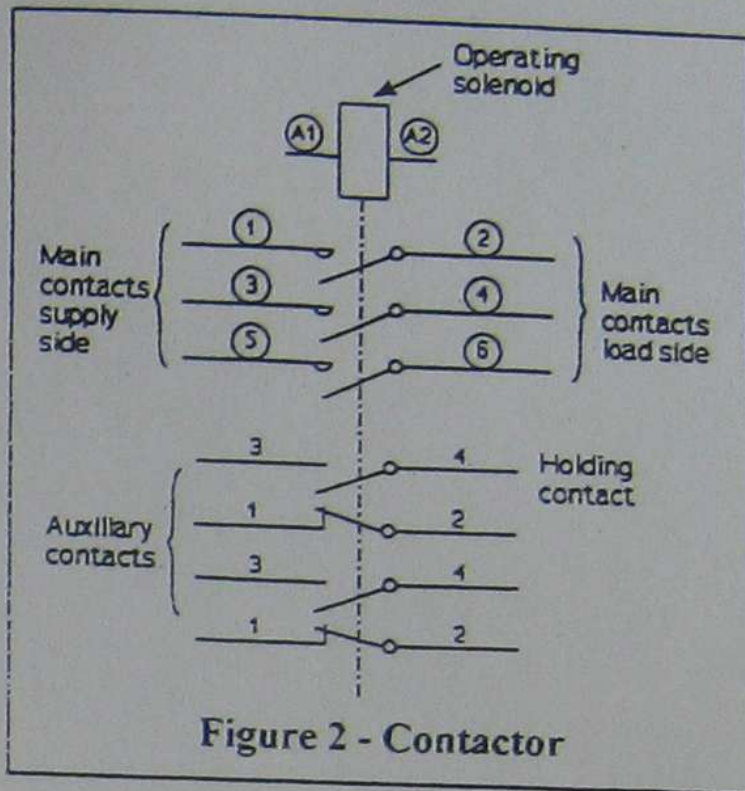
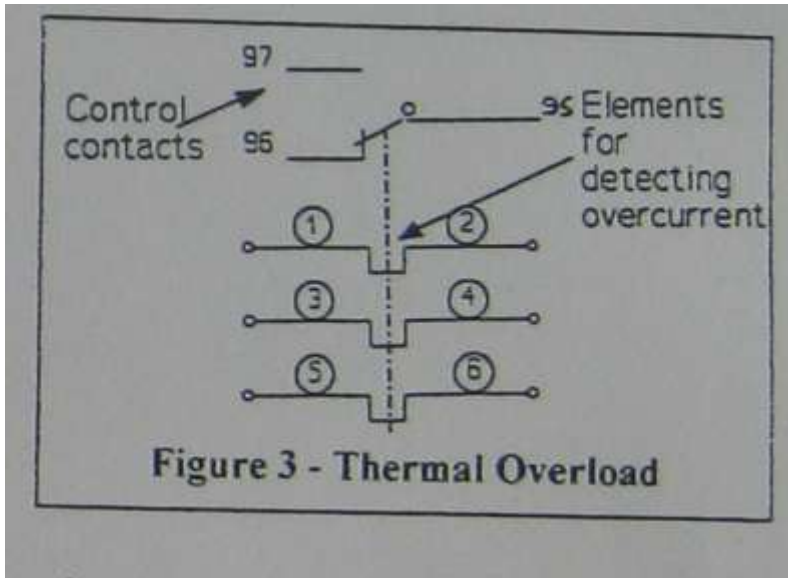


Figure 2 - Contactor



Practical (8) Change over switch connection

Connect the following change over switch connection

